

MIT 2012 MIXED DOUBLES CLUB TOURNAMENT JAN 18-20, 2013

10-Point Tie Break for the Third Set.

Flight Tie-Break Method:

Fewest Sets Lost (Third Set is a set, not a game)

Fewest Games Lost

FLIGHT 1

	Tina Endicott						
[1]	-----+ Brian McDonough						
			Endicott-McDonough				
	Sat 1:00	+	-----				
			6-7(8), 6-0, 1-0(7)				
	Nancy Spears						
	-----+ Charlie Biss						

FLIGHT 2

	Laura Rumbough						
[2]	-----+ Mark Doran						
			Rumbough-Doran				
	Fri 6:00	+	-----				
			6-1, 6-1				
	Jan Bark						
	-----+ Ken Schoen						

	Tina Endicott						
	-----+ Brian McDonough						
			Endicott-McDonough				
	Fri 6:00	+	-----				
			6-3, 6-1				
	Nan Carpenter						
	-----+ Dick Catlin						

	Laura Rumbough						
	-----+ Mark Doran						
			Rumbough-Doran				
	Sat 7:30	+	-----				
			6-2, 6-1				
	Heather Potter						
	-----+ Chris Murray						

	Nancy Spears						
	-----+ Charlie Biss						
			Spears-Biss				
	Sat 9:00	+	-----				
			6-3, 5-7, retired				
	Nan Carpenter						
	-----+ Dick Catlin						

	Jan Bark						
	-----+ Ken Schoen						
			Bark-Schoen				
	Sat 3:30	+	-----				
			6-3, 6-2				
	Heather Potter						
	-----+ Chris Murray						

FLIGHT 1 WINNER

	Tina Endicott						
	-----+ Brian McDonough						
			Rumbough-Doran				
	Sun 10:00	+	-----			CHAMPION	
			6-2, 6-0				

FLIGHT 2 WINNER

Laura Rumbough

-----+
Mark Doran

Issued Jan 20 2013 1pm

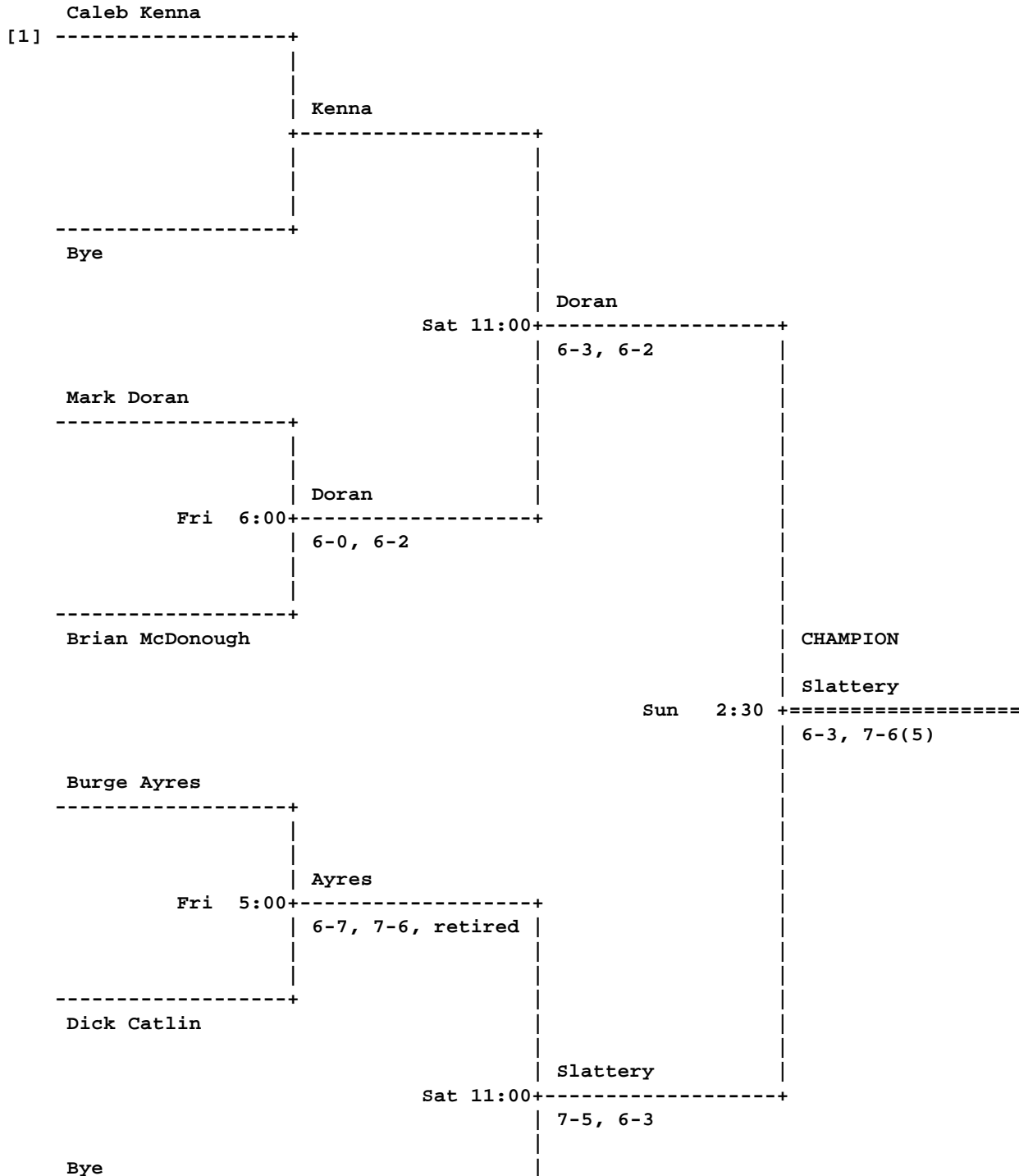
MIT 2012 MENS SINGLES CLUB TOURNAMENT JANUARY 4-6 2013

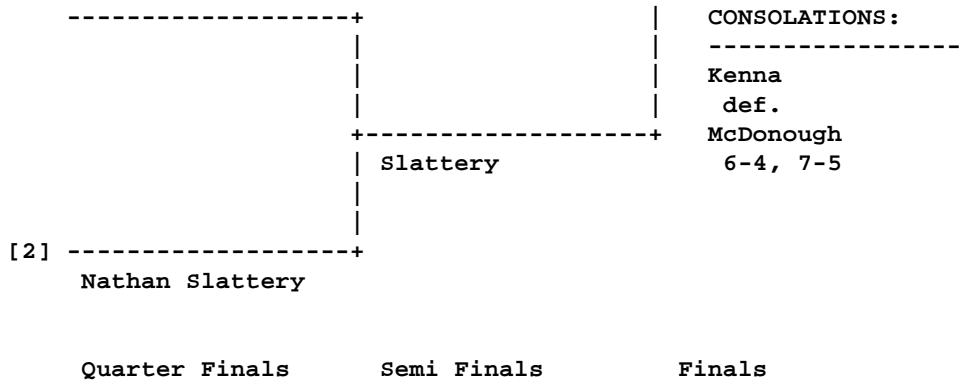
Quarter Finals

Semi Finals

Finals

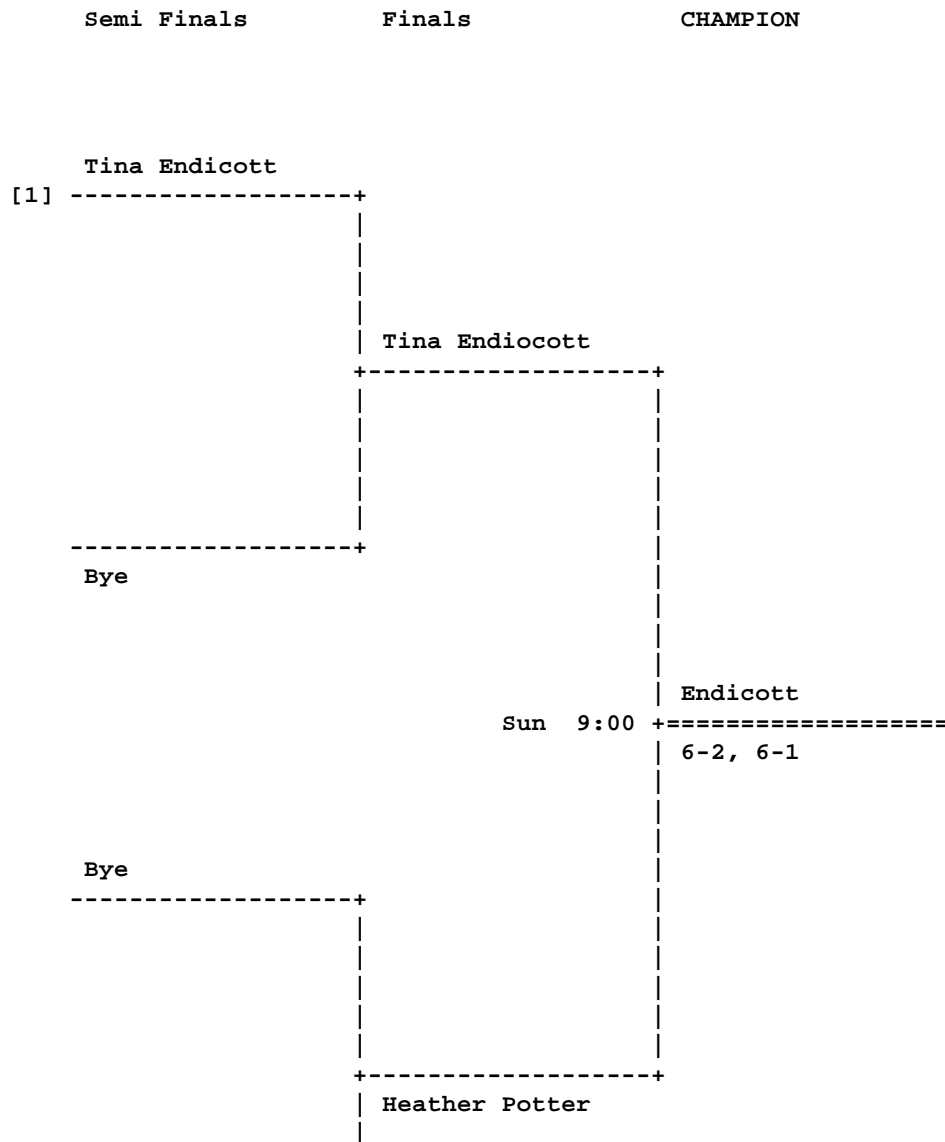
CHAMPION

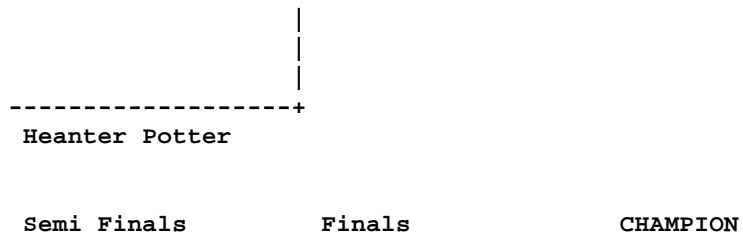




Issued Jan 6 2013

MIT 2012 WOMENS SINGLES CLUB TOURNAMENT JANUARY 6, 2013





Issued Jan 6 2013
